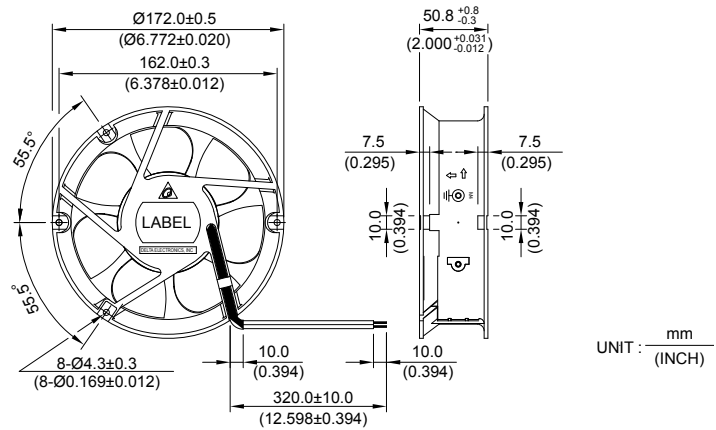


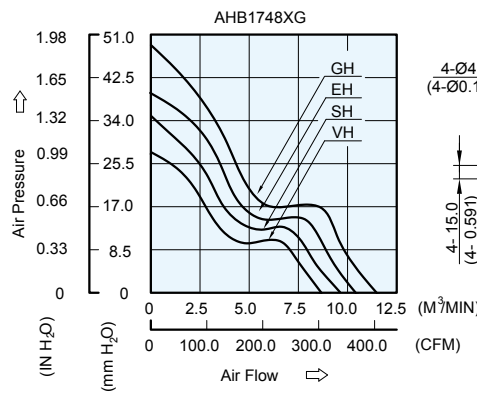
AHB $\phi 172 \times 50.8$ MM SERIES

DIMENSIONS DRAWING

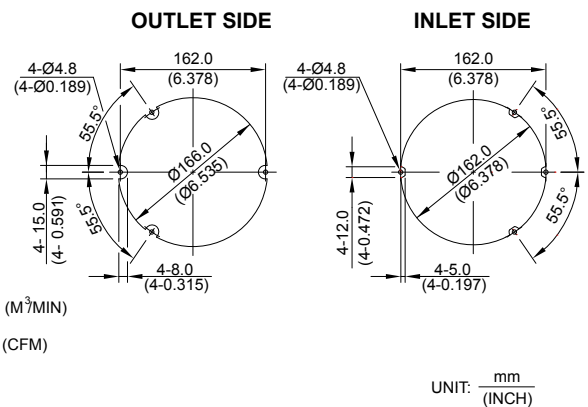


- * Bearing Type
Ball Bearings
- * Material
Impeller : Plastic (UL 94V-0)
Frame : Die-Cast Aluminum
- * Lead Wires :
UL 1007 AWG #24 OR Equivalent
Red Wire Positive(+)
Black Wire Negative(-)
- * Weight : 820g (28.93 oz)

P & Q CURVE (AT RATED VOLTAGE)



MOUNTING PANEL CUTOUT



MODEL		Rated Voltage	Operating Voltage Range	Input Current	Input Power	Speed	Maximum Air Flow		Maximum Air Pressure		Noise
PART NO.	FUNCTION	VDC	VDC	Amp	Watt	R.P.M.	m ³ /min	CFM	mmH ₂ O	IN H ₂ O	dB-A
AHB1748VHG	-R00 / -F00	48	32.0 to 80.0	0.71	34.08	4000	8.760	309.37	29.75	1.171	59.5
AHB1748SHG	-R00 / -F00	48	32.0 to 80.0	0.88	42.24	4400	9.773	345.13	36.34	1.431	61.5
AHB1748EHG	-R00 / -F00	48	32.0 to 80.0	1.22	58.56	4800	10.636	375.62	43.24	1.702	64.0
AHB1748GHG	-R00 / -F00	48	32.0 to 80.0	1.52	72.96	5200	11.564	408.39	52.02	2.048	66.5

* Function type is optional.
 * The max. air flow and the speed are measured in free air ; max. air pressure is measured at zero air flow.
 * Noise is measured in anechoic chamber in free air, one meter from intake side.
 * All readings are typical values at rated voltage.
 * Specifications are subject to change without notice.