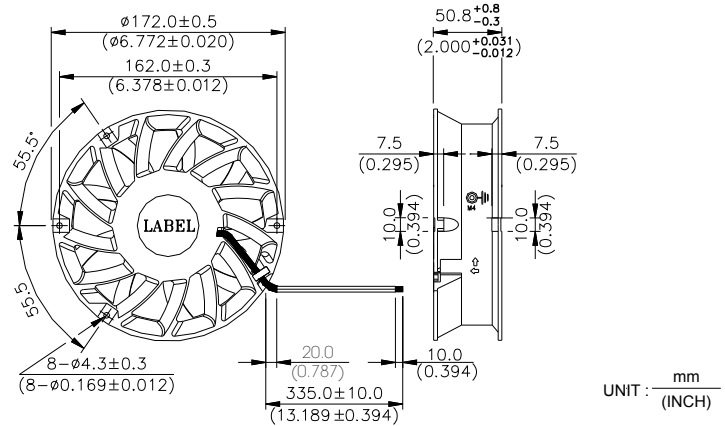


FHB $\phi 172 \times 50.8$ MM SERIES

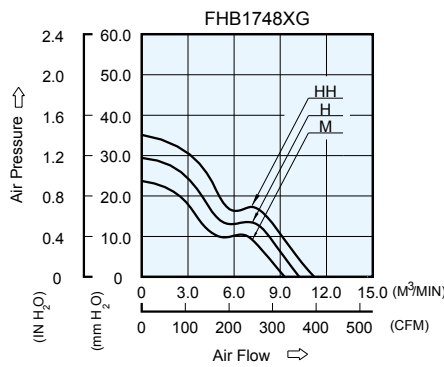
DIMENSIONS DRAWING



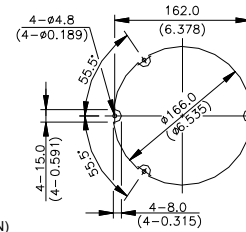
- * Bearing Type
Ball Bearings
- * Material
Impeller : Plastic (UL 94V-0)
Frame : Die-cast Aluminum
- * Lead Wires :
UL 1430 AWG #22 OR Equivalent
Red Wire Positive(+)
Black Wire Negative(-)
- * Weight : 920g (32.45 oz)

P & Q CURVE (AT RATED VOLTAGE)

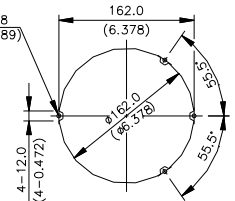
MOUNTING PANEL CUTOUT



OUTLET SIDE



INLET SIDE



UNIT: $\frac{\text{mm}}{\text{(INCH)}}$

MODEL		Rated Voltage	Operating Voltage Range	Input Current	Input Power	Speed	Maximum Air Flow		Maximum Air Pressure		Noise
PART NO.	FUNCTION	VDC	VDC	Amp	Watt	R.P.M.	m ³ /min	CFM	mmH ₂ O	IN H ₂ O	dB-A
FHB1748MG	-R00 / -F00	48	32.0 to 80.0	0.83	39.84	3600	9.281	327.76	23.89	0.941	67.0
FHB1748HG	-R00 / -F00	48	32.0 to 80.0	1.08	51.84	4000	10.217	360.82	29.45	1.159	69.5
FHB1748HG	-R00 / -F00	48	32.0 to 80.0	1.60	76.80	4400	10.994	388.25	35.44	1.395	71.5

* Function type is optional.
 * The max. air flow and the speed are measured in free air ; max. air pressure is measured at zero air flow.
 * Noise is measured in anechoic chamber in free air, one meter from intake side.
 * All readings are typical values at rated voltage.
 * Specifications are subject to change without notice.