

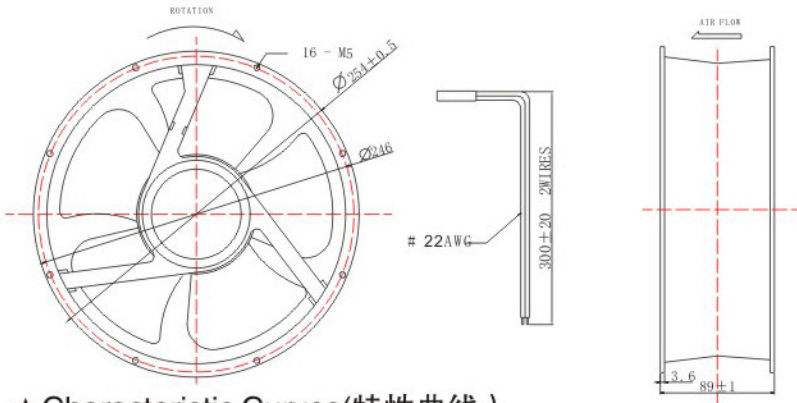
254×89mm

# AC Axial-Flow Fan

## ★ General Specification(一般规格)

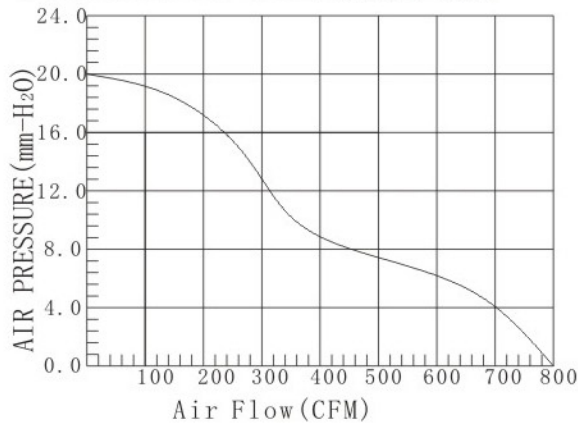
- ☆ Material:
- Lmpeller:Thermal Plastic UL 94V-0
- Frame:Aluminium Alloy
- ☆ Lead Wires:UL Type
- ☆ Motor Protection:Lmpedance Protected
- ☆ Insulation Resistance:10M Ω Or Over With a DC500V Megger
- ☆ Dielectric Strength:AC1500V 0.5mA 1S
- ☆ Allowable Ambient Temperature Range:
  - 10°C ~ +70°C(Operation)
  - 30°C ~ +85°C(Storage)

## ★ Dimensions Drawing(外观图)



Unit:mm

## ★ Characteristic Curves(特性曲线)



## ★ Specifications(规格)

Model (型号)	Bearing System (培林)	Rated Voltage (V) (电压)	Freq. (Hz) (频率)	Current (A) (电流)	Input power (W) (功率)	Speed (RPM) (转速)	Air Flow (CFM) (风量)	Static Pressure (mm-H <sub>2</sub> O) (静压)	Niose Level (dB-A) (噪音)	Weight (g) (重量)
YA225489HBL	Ball	220	50/60	0.22/0.28	45/62	2600/2600	800/800	19.8	80	2100