

AC Axial-Flow Fan

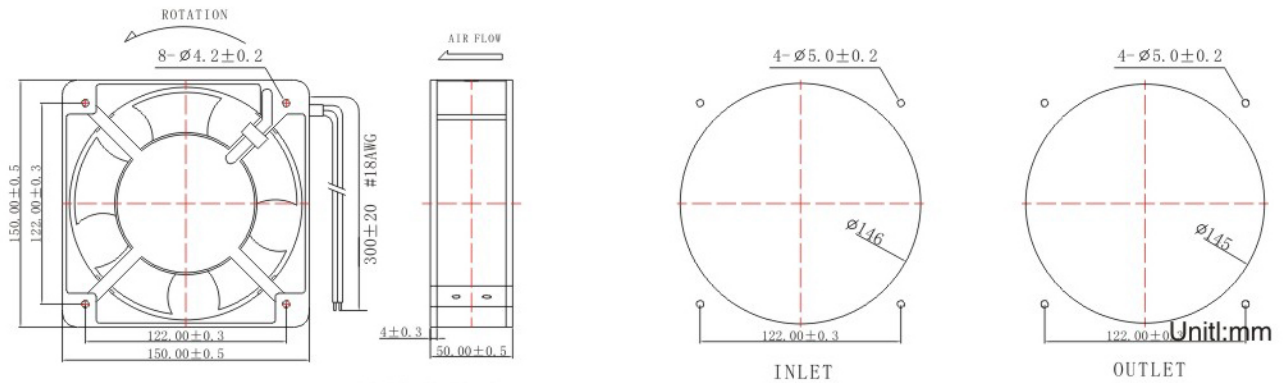


150×150×50mm

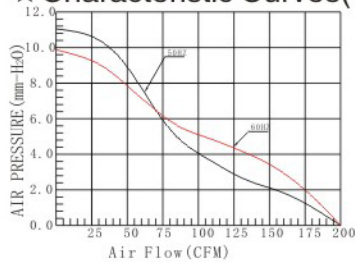
★ General Specification(一般规格)

- ☆ Material: Lmpeller:Thermal Plastic UL 94V-0
Frame:Aluminium Alloy
- ☆ Lead Wires:UL Type
- ☆ Motor Protection:Lmpedance Protected
- ☆ Insulation Resistance:10MΩ Or Over With a
DC500V Megger
- ☆ Dielectric Strength:AC1500V 0.5mA 1S
- ☆ Allowable Ambient Temperature Range:
-10℃ ~ +70℃(Operation)
-30℃ ~ +85℃(Storage)

★ Dimensions Drawing(外观图)



★ Characteristic Curves(特性曲线)



★ Specifications(规格)

Model (型号)	Bearing System (培林)	Rated Voltage (V) (电压)	Freq. (Hz) (频率)	Current (A) (电流)	Input power (W) (功率)	Speed (RPM) (转速)	Air Flow (CFM) (风量)	Static Pressure (mm-H ₂ O) (静压)	Niose Level (dB-A) (噪音)	Weight (g) (重量)
YA115050HSL	Sleeve	110	50/60	0.63/0.53	42/37	2500/2800	185/220	11.1/9.6	51/56	920
YA115050HBL	Ball	110	50/60	0.63/0.53	42/37	2600/2950	200/225	11.5/9.8	52/56	920
YA215050HSL	Sleeve	220	50/60	0.25/0.22	36/34	2500/2500	185/185	11.1/9.0	51/51	920
YA215050HBL	Ball	220	50/60	0.25/0.22	36/34	2600/2600	200/200	11.5/9.3	52/52	920
YA315050HSL	Sleeve	380	50/60	0.14/0.13	34/33	2600/2550	200/190	11.5/9.2	52/51	920
YA315050HBL	Ball	380	50/60	0.14/0.13	34/33	2600/2550	200/190	11.5/9.2	52/51	920