



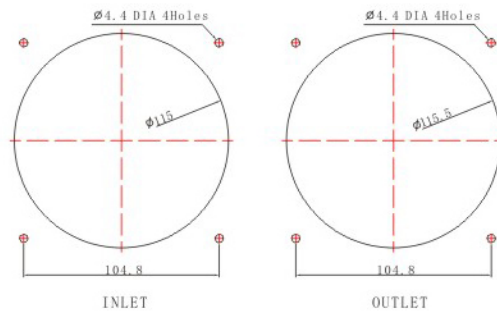
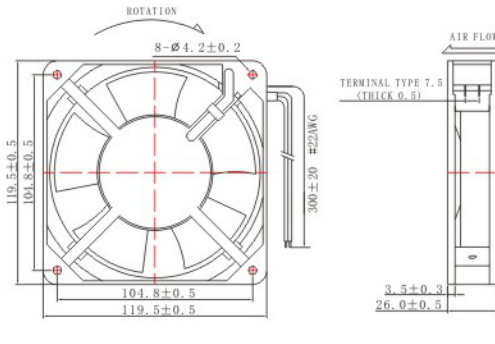
120×120×25mm

# AC Axial-Flow Fan

## ★ General Specification(一般规格)

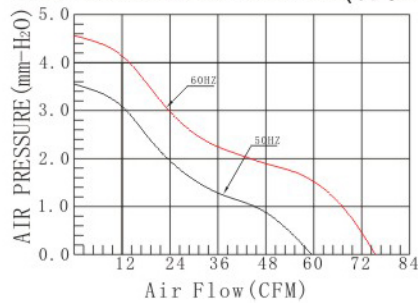
- ☆ Material: Lmpeller:Thermal Plastic UL 94V-0  
Frame:Aluminium Alloy
- ☆ Lead Wires:UL Type
- ☆ Motor Protection:Lmpedance Protected
- ☆ Insulation Resistance:10MΩ Or Over With a  
DC500V Megger
- ☆ Dielectric Strength:AC1500V 0.5mA 1S
- ☆ Allowable Ambient Temperature Range:  
-10℃ ~ +70℃(Operation)  
-30℃ ~ +85℃(Storage)

## ★ Dimensions Drawing(外观图)



Unit:mm

## ★ Characteristic Curves(特性曲线)



## ★ Specifications(规格)

Model (型号)	Bearing System (培林)	Rated Voltage (V) (电压)	Freq. (Hz) (频率)	Current (A) (电流)	Input power (W) (功率)	Speed (RPM) (转速)	Air Flow (CFM) (风量)	Static Pressure (mm-H2O) (静压)	Niose Level (dB-A) (噪音)	Weight (g) (重量)
YA11225HSL	Sleeve	110	50/60	0.15/0.14	13.0/11.0	2000/2200	52/58	3.45/4.70	36/38	280
YA11225HBL	Ball	110	50/60	0.15/0.14	13.0/11.0	2050/2250	55/59	3.50/4.76	36/38	280
YA21225HSL	Sleeve	220	50/60	0.11/0.09	18.0/14.0	2150/2400	58/72	3.05/4.57	36/38	280
YA21225HBL	Ball	220	50/60	0.11/0.09	18.0/14.0	2250/2500	59/75	3.55/4.82	36/38	280