

AC Axial-Flow Fan



80×80×38mm

★ General Specification(一般规格)

☆ Material: Lmpeller:Thermal Plastic UL 94V-0

Frame:Aluminium Alloy

☆ Lead Wires:UL Type

☆ Motor Protection:Lmpedance Protected

☆ Insulation Resistance:10MΩ Or Over With a
DC500V Megger

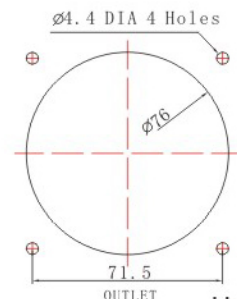
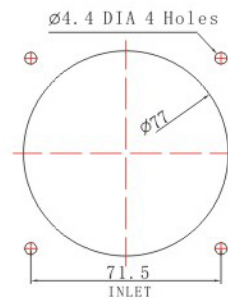
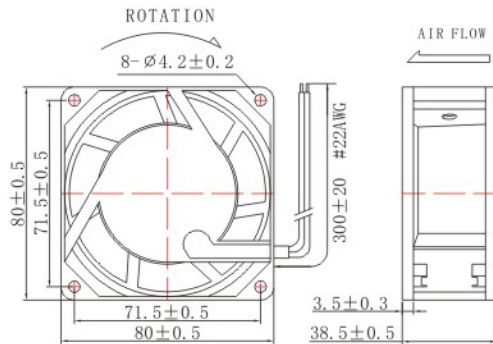
☆ Dielectric Strength:AC1500V 0.5mA 1S

☆ Allowable Ambient Temperature Range:

-10℃ ~ +70℃(Operation)

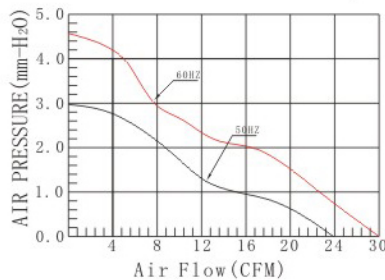
-30℃ ~ +85℃(Storage)

★ Dimensions Drawing(外观图)



Unit:mm

★ Characteristic Curves(特性曲线)



★ Specifications(规格)

Model (型号)	Bearing System (培林)	Rated Voltage (V) (电压)	Freq. (Hz) (频率)	Current (A) (电流)	Input power (W) (功率)	Speed (RPM) (转速)	Air Flow (CFM) (风量)	Static Pressure (mm-H2O) (静压)	Niose Level (dB-A) (噪音)	Weight (g) (重量)
YA18038HSL	Sleeve	110	50/60	0.17/0.13	12.5/9	2250/2900	23/29	2.54/4.57	26/29	300
YA18038HBL	Ball	110	50/60	0.17/0.13	12.5/9	2300/3000	24/30	2.70/4.82	26/29	300
YA28038HSL	Sleeve	220	50/60	0.08/0.06	11.0/8.0	2350/2800	24/28	2.72/4.50	26/29	300
YA28038HBL	Ball	220	50/60	0.08/0.06	11.0/8.0	2450/2900	25/29	2.75/4.57	26/29	300