



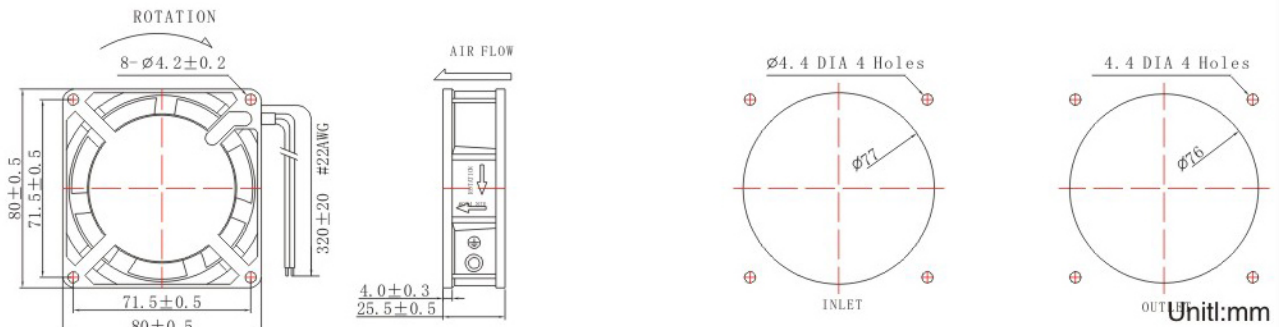
80×80×25mm

# AC Axial-Flow Fan

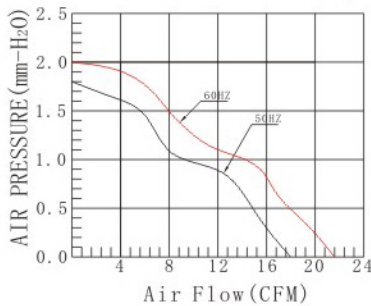
## ★ General Specification(一般规格)

- ☆ Material: Lmpeller:Thermal Plastic UL 94V-0  
Frame:Aluminium Alloy
- ☆ Lead Wires:UL Type
- ☆ Motor Protection:Lmpedance Protected
- ☆ Insulation Resistance:10MΩ Or Over With a  
DC500V Megger
- ☆ Dielectric Strength:AC1500V 0.5mA 1S
- ☆ Allowable Ambient Temperature Range:  
-10℃ ~ +70℃(Operation)  
-30℃ ~ +85℃(Storage)

## ★ Dimensions Drawing(外观图)



## ★ Characteristic Curves(特性曲线)



## ★ Specifications(规格)

Model (型号)	Bearing System (培林)	Rated Voltage (V) (电压)	Freq. (Hz) (频率)	Current (A) (电流)	Input power (W) (功率)	Speed (RPM) (转速)	Air Flow (CFM) (风量)	Static Pressure (mm-H <sub>2</sub> O) (静压)	Niose Level (dB-A) (噪音)	Weight (g) (重量)
YA18025HSL	Sleeve	110	50/60	0.13/0.11	12/9.5	2450/2900	17/21	1.7/1.9	28.2/33	230
YA18025HBL	Ball	110	50/60	0.13/0.11	12/9.5	2550/3000	18/22	1.78/2.0	28.2/33	230
YA28025HSL	Sleeve	220	50/60	0.09/0.08	15.5/12.5	2450/2900	17/21	1.7/1.9	28.2/33	230
YA28025HBL	Ball	220	50/60	0.09/0.08	15.5/12.5	2550/3000	18/22	1.78/2.0	28.2/33	230