

120×120×32mm

# DC Axial-Flow Fan

## ★ General Specification(一般规格)

☆ Material: Frame And Impeller: Thermal Plastic UL 94V-0

☆ Lead Wires: UL Type

RED Wire Positive(+)

BLACK Wire Negative(-)

☆ Insulation Resistance: 10MΩ Or Over With a DC250V Megger

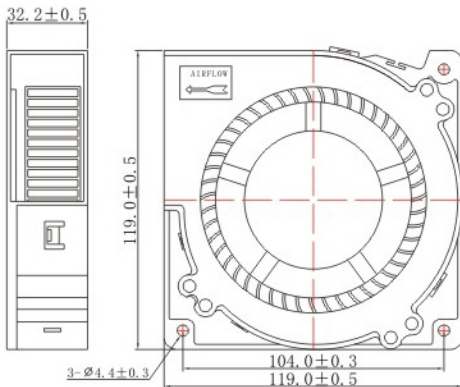
☆ Dielectric Withstand Voltage: AC500V 1S

☆ Allowable Ambient Temperature Range:

-10°C ~ +70°C(Operation)

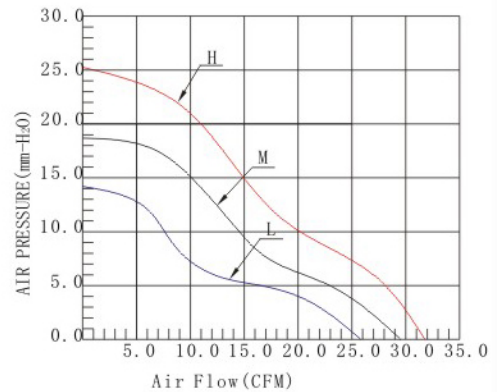
-40°C ~ +70°C(Storage)

## ★ Dimensions Drawing(外观图)



Unit:mm

## ★ Characteristic Curves(特性曲线)



## ★ Specifications(规格)

Model (型号)	Bearing System (培林)	Rated Voltage (V) (电压)	Operation Voltage (V) (电压范围)	Current (A) (电流)	Input power (W) (功率)	Speed (RPM) (转速)	Air Flow (CFM) (风量)	Static Pressure (mm-H <sub>2</sub> O) (静压)	Noise Level (dB-A) (噪音)	Weight (g) (重量)
YB121232HS	Sleeve	12	10.8~13.2	0.60	7.20	2100	31.83	25.10	45.80	240
YB121232MS				0.50	6.00	1800	28.89	18.55	43.70	240
YB121232LS				0.32	3.84	1600	25.87	14.10	40.90	240
YB121232HB	Ball			0.60	7.20	2100	31.83	25.10	45.80	240
YB121232MB				0.50	6.00	1800	28.89	18.55	43.70	240
YB121232LB				0.32	3.84	1600	25.87	14.10	40.90	240
YB241232HS	Sleeve	24	21.6~26.4	0.40	9.60	2100	31.83	25.10	45.80	240
YB241232MS				0.30	7.20	1800	28.89	18.55	43.70	240
YB241232LS				0.20	4.80	1600	25.87	14.10	40.90	240
YB241232HB	Ball			0.40	9.60	2100	31.83	25.10	45.80	240
YB241232MB				0.30	7.20	1800	28.89	18.55	43.70	240
YB241232LB				0.20	4.80	1600	25.87	14.10	40.90	240