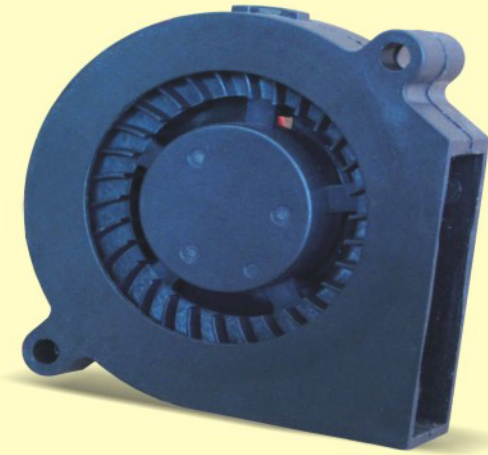


DC Axial-Flow Fan

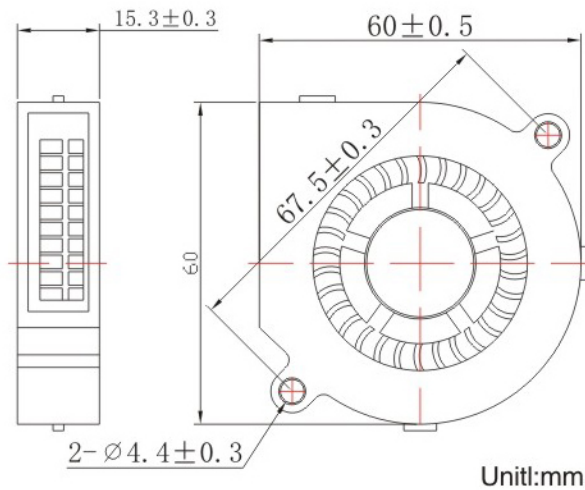


60×60×15mm

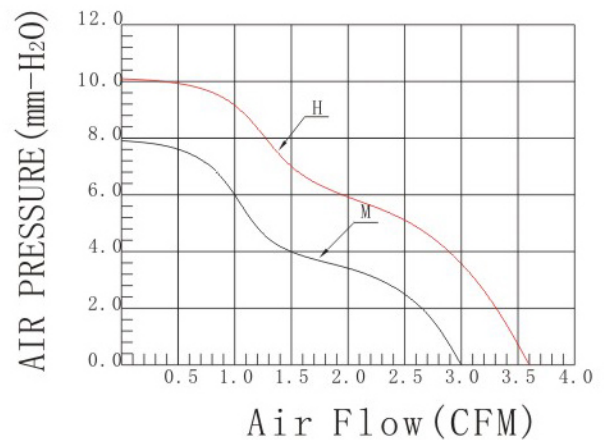
★ General Specification(一般规格)

- ☆ Material: Frame And Impeller: Thermal Plastic UL 94V-0
- ☆ Lead Wires: UL Type
 - RED Wire Positive(+)
 - BLACK Wire Negative(-)
- ☆ Insulation Resistance: 10MΩ Or Over With a DC250V Megger
- ☆ Dielectric Withstand Voltage: AC500V 1S
- ☆ Allowable Ambient Temperature Range:
 - 10°C ~ +70°C (Operation)
 - 40°C ~ +70°C (Storage)

★ Dimensions Drawing(外观图)



★ Characteristic Curves(特性曲线)



★ Specifications(规格)

Model (型号)	Bearing System (培林)	Rated Voltage (V) (电压)	Operation Voltage (V) (电压范围)	Current (A) (电流)	Input power (W) (功率)	Speed (RPM) (转速)	Air Flow (CFM) (风量)	Static Pressure (mm-H ₂ O) (静压)	Noise Level (dB-A) (噪音)	Weight (g) (重量)
YB056015HS	Sleeve	5	4.5~5.5	0.35	1.75	3500	3.60	10.02	35.50	35
YB056015MS				0.12	0.60	2800	3.00	7.92	28.20	35
YB126015HS	Sleeve	12	10.8~13.2	0.20	2.40	3500	3.60	10.02	33.50	35
YB126015MS				0.16	1.92	2800	3.00	7.92	28.20	35