

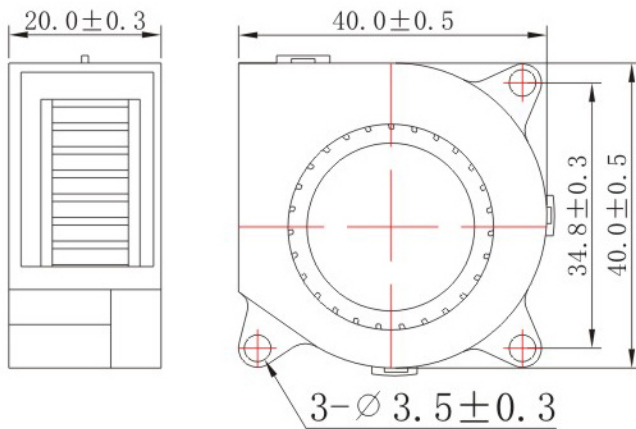
40×40×20mm

DC Axial-Flow Fan

★ General Specification(一般规格)

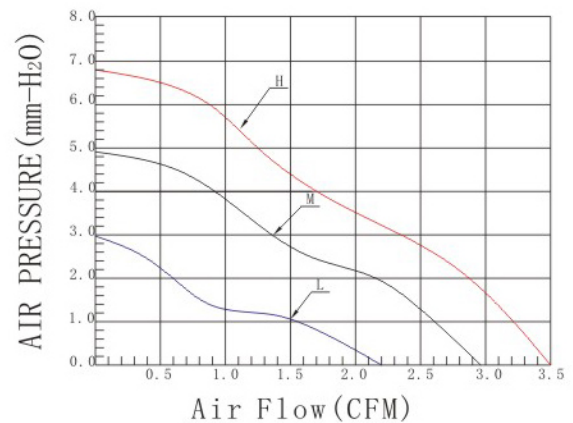
- ☆ Material: Frame And Impeller: Thermal Plastic UL 94V-0
- ☆ Lead Wires: UL Type
 - RED Wire Positive(+)
 - BLACK Wire Negative(-)
- ☆ Insulation Resistance: 10MΩ Or Over With a DC250V Megger
- ☆ Dielectric Withstand Voltage: AC500V 1S
- ☆ Allowable Ambient Temperature Range:
 - 10°C ~ +70°C (Operation)
 - 40°C ~ +70°C (Storage)

★ Dimensions Drawing(外观图)



Unit:mm

★ Characteristic Curves(特性曲线)



★ Specifications(规格)

Model (型号)	Bearing System (培林)	Rated Voltage (V) (电压)	Operation Voltage (V) (电压范围)	Current (A) (电流)	Input power (W) (功率)	Speed (RPM) (转速)	Air Flow (CFM) (风量)	Static Pressure (mm-H ₂ O) (静压)	Noise Level (dB-A) (噪音)	Weight (g) (重量)
YB054020HS	Sleeve	5	4.5~5.5	0.26	1.30	5300	3.50	6.80	29.60	24
YB054020HS				0.20	1.00	4200	2.90	4.90	25.50	24
YB054020HS				0.14	0.70	3000	2.20	3.00	21.40	24
YB124020HS	Sleeve	12	10.8 ~ 13.2	0.15	1.80	6000	4.10	8.50	34.80	24
YB124020HS				0.11	1.32	5300	3.50	6.80	29.60	24
YB124020HS				0.07	0.84	4200	2.90	4.90	25.50	24