



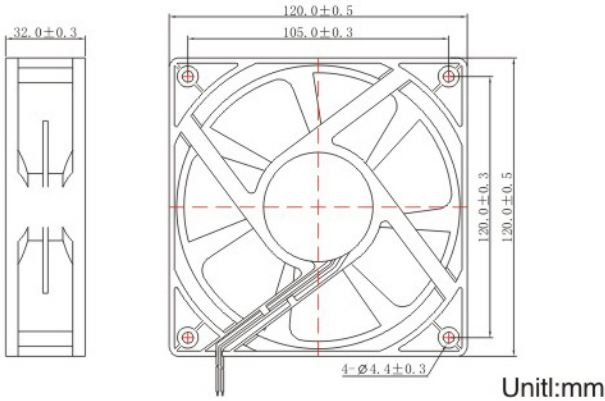
120×120×32mm

DC Axial-Flow Fan

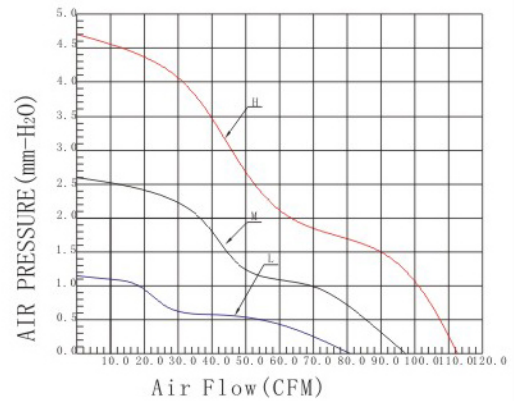
★ General Specification(一般规格)

- ☆ Material: Frame And Impeller: Thermal Plastic UL 94V-0
- ☆ Lead Wires: UL Type
 - RED Wire Positive(+)
 - BLACK Wire Negative(-)
- ☆ Insulation Resistance: 10MΩ Or Over With a DC250V Megger
- ☆ Dielectric Withstand Voltage: AC500V 1S
- ☆ Allowable Ambient Temperature Range:
 - 10°C ~ +70°C (Operation)
 - 40°C ~ +70°C (Storage)

★ Dimensions Drawing(外观图)



★ Characteristic Curves(特性曲线)



★ Specifications(规格)

Model (型号)	Bearing System (培林)	Rated Voltage (V) (电压)	Operation Voltage (V) (电压范围)	Current (A) (电流)	Input power (W) (功率)	Speed (RPM) (转速)	Air Flow (CFM) (风量)	Static Pressure (mm-H ₂ O) (静压)	Noise Level (dB-A) (噪音)	Weight (g) (重量)
YD121232HS	Sleeve	12	10.8~13.2	0.60	7.20	3500	112.37	4.70	29.32	230
YD121232MS				0.50	6.00	3000	96.32	2.56	24.64	230
YD121232LS				0.32	3.84	2500	80.26	1.15	21.05	230
YD121232HB	Ball			0.60	7.20	3500	112.37	4.70	29.32	230
YD121232MB				0.50	6.00	3000	96.32	2.56	24.64	230
YD121232LB				0.32	3.84	2500	80.26	1.15	21.05	230
YD241232HS	Sleeve	24	21.6~26.4	0.40	9.60	3500	112.37	4.70	29.32	230
YD241232MS				0.30	7.20	3000	96.32	2.56	24.64	230
YD241232LS				0.20	4.80	2500	80.26	1.15	21.05	230
YD241232HB	Ball			0.40	9.60	3500	112.37	4.70	29.32	230
YD241232MB				0.30	7.20	3000	96.32	2.56	24.64	230
YD241232LB				0.20	4.80	2500	80.26	1.15	21.05	230