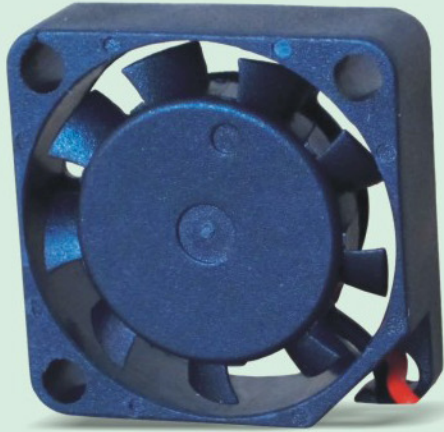


DC Axial-Flow Fan

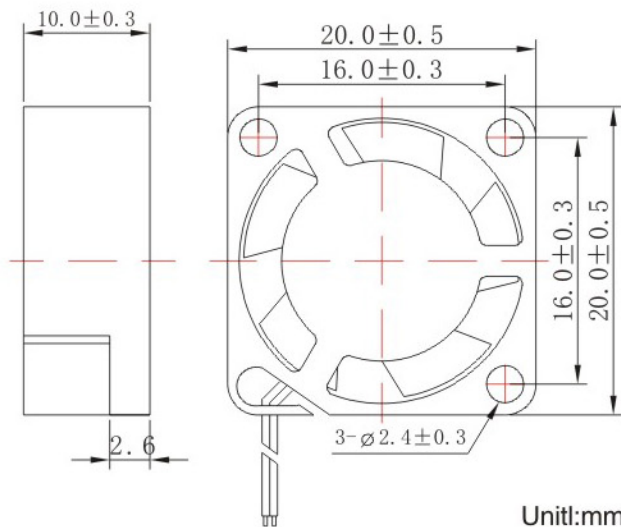


20×20×10mm

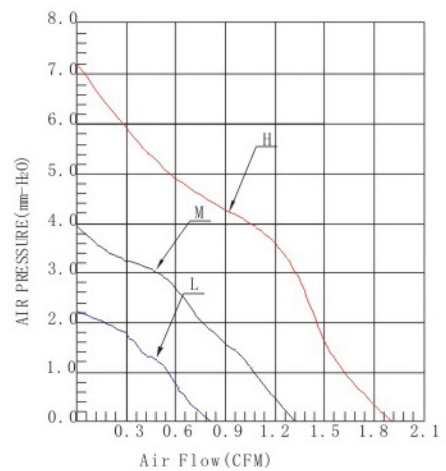
★ General Specification(一般规格)

- ☆ Material: Frame And Impeller: Thermal Plastic UL 94V-0
- ☆ Lead Wires: UL Type
 - RED Wire Positive(+)
 - BLACK Wire Negative(-)
- ☆ Insulation Resistance: 10MΩ Or Over With a DC250V Megger
- ☆ Dielectric Withstand Voltage: AC500V 1S
- ☆ Allowable Ambient Temperature Range:
 - 10°C ~ +70°C (Operation)
 - 40°C ~ +70°C (Storage)

★ Dimensions Drawing(外观图)



★ Characteristic Curves(特性曲线)



★ Specifications(规格)

Model (型号)	Bearing System (培林)	Rated Voltage (V) (电压)	Operation Voltage (V) (电压范围)	Current (A) (电流)	Input power (W) (功率)	Speed (RPM) (转速)	Air Flow (CFM) (风量)	Static Pressure (mm-H ₂ O) (静压)	Noise Level (dB-A) (噪音)	Weight (g) (重量)
YD052010HS	Sleeve	5	4.5~5.5	0.20	1.0	18000	1.89	7.23	37.28	5.5
YD052010MS				0.15	0.75	12000	1.27	3.93	27.13	5.5
YD052010LS				0.10	0.5	9000	0.85	2.32	20.55	5.5
YD122010HS	Sleeve	12	10.8~13.2	0.15	1.8	15000	1.89	7.23	37.28	5.5
YD122010MS				0.10	1.2	12000	1.27	3.93	27.13	5.5
YD122010LS				0.07	0.84	9000	0.85	2.32	20.55	5.5